

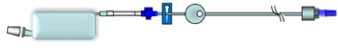
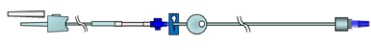
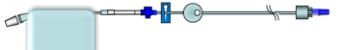
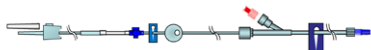
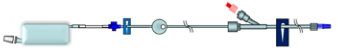
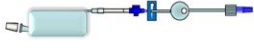


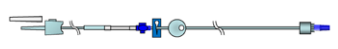


Rythmic™ Perf +

PRODUCT
INFORMATION

References	KP5.04.188.2 Rythmic™ Perf + KP5.04.274.2 Mini Rythmic™ Perf+ KP5.04.287.1 Rythmic™ Perf+ w. permanent key
Delivery modes	<ul style="list-style-type: none"> • Continuous • Volume/time or Volume/rate • Auto ramp • Intermittent • 25 steps
Flow rate and Accuracy	0.1 to 400 ml/h, with ± 5% accuracy (0.1 ml/h increments (of flow rate) for time based programming in V/T and Auto Ramp mode)
Programming Units Concentration	ml/mg/µg 0.1 to 99.9 mg/ml and 0.1 to 999.9 µg/ml
Programmable infusion time	1 min to 199 h 59 min
Auto ramp, up and down time	0 min to 9 h 59 min
Volume to infuse	1 to 9999 ml
Special functions	<ul style="list-style-type: none"> • Early taper down • Delayed start (up to 24 hours) • Mandatory priming (enabled, warning only, disabled) • Automatic priming with the pump • Lockable keyboard
Therapy monitoring	Ready to connect to www.micrelcare.net for therapy monitoring through the web. History Plug & Play printout and downloads on PC or via Micrelcare™
KVO	0.1 to 20.0 ml/h
Automatic restart after occlusion release	Yes
Occlusion limits	3 levels: low= 7psi (0.5 bar), medium= 13 psi (0.9 bar), high= 18.8 psi (1.3 bar)
Safety features	Air in line elimination filter, free flow protection, lockable protective covers for drug container
Alarms & warnings	Upstream and Downstream Occlusion, near end (in time or volume) and end of infusion, low and depleted battery, open mechanism, KVO, incorrect programmed rate, preventive maintenance warning
Power supply and autonomy	9V alkaline: 7 days 2 ml/h
Languages	Bulgarian, Croatian, Czech, Danish, Dutch, English, Finnish, French, German, Greek, Hungarian, Italian, Lithuanian, Norwegian, Polish, Portuguese, Russian, Serbian, Slovenian, Spanish, Swedish
Preventive maintenance	Every 2 years
Weight with battery	KP5.04.188.2 Rythmic™ Perf +: 335 g KP5.04.274.2 Mini Rythmic™ Perf+: 300 g KP5.04.287.1 Rythmic™ Perf+ w. permanent key: 335 g
Dimensions	KP5.04.188.2 Rythmic™ Perf +: 130 mm x 133 mm x 46 mm KP5.04.274.2 Mini Rythmic™ Perf+: 130 mm x 75 mm x 46 mm KP5.04.287.1 Rythmic™ Perf+ w. permanent key: 130mm x 133 mm x 46 mm



DEHP free set range

Rythmic™ Administration Set range for Rythmic™ Perf + Systems			
Mini Full Set 100 mL KE1.EE.177.0		Spike Set S KM1.EE.155.1	
Full Set 200 mL KE1.EE.185.1		Spike Set S Y KM1.EE.187.2	
Y Mini Full Set 100 mL KE1.EE.195.1		Short Set 100 mL KE1.EE.158.0	
Y Full Set 200 ml KE1.EE.196.0		Valve Extension Set KM1.EE.141.8	
Spike Set KM1.EE.099.2		Valve Extension Set with filter 0,2 um KE1.EE.220.1	
Bag Set 200 mL no filter KE1.EE.345.1			

Accessories For Rythmic™ Perf+ Systems					
	Rythmic™ Carrying Bag KM1.YY.415.2		Carrying bag 500 ml for Rythmic™ and IP Connect KM1.YY.318.2		Mini Rythmic™ Bag 500 ml KM1.YY.365.1
	Mini Rythmic™ Bag KM1.YY.400.1		Rythmic™ XS Carrying Shoulder Bag single use KM1.YY.566.1		Rythmic™ XS Carrying Waist Bag 250 mL KM1.YY.506.2
	IP Connect Pack KP5.04.259.2		Rythmic™ Power Adaptor plug type C (EU) KS5.01.615.4		Mini Rythmic™ Pole Clamp KS5.04.017.5
	Rythmic™ Pole Clamp KS5.01.430.3		Rythmic™ XS Carrying Shoulder Bag 1000 mL KM1.YY.563.1		

96155 en UK Rev. 4 Rel. Date 2023.06.30